

For riders age 7 years
and older



OWNER'S MANUAL



COBALT



COBALT

CONTENTS

BEFORE YOU START	page 3
PARTS & COMPONENTS	page 4
SUB-ASSEMBLIES AND PARTS	page 5
FRAME ASSEMBLY	page 6
HANDLE BAR ASSEMBLY ASSEMBLY	page 7
HANDLE BAR ASSEMBLY HEIGHT ADJUSTMENT	page 8
FUZION™ SAFETY TIPS	page 9
HOW TO RIDE	page 10
MAINTENANCE	page 12

AN IMPORTANT MESSAGE TO PARENTS:

This manual contains important safety information. For your child's safety, it is your responsibility to review this information with your child and make sure that your child understands all warnings, cautions, instructions, and safety topics. Nextsport recommends that you periodically review and reinforce the information in this manual with younger riders, and that you inspect and maintain your child's scooter to ensure their safety.

⚠️ WARNING: Scooter riding can be a hazardous activity. Scooters can and are intended to move, and it is therefore possible to get into dangerous situations and/or lose control and/or fall off. If such things occur, serious injury may result. LIKE ANY OTHER MOVING PRODUCTS, SUCH AS BICYCLES, SKATEBOARDS, OR IN-LINE SKATES, RIDING A SCOOTER CAN BE A DANGEROUS ACTIVITY AND MAY RESULT IN INJURY, EVEN WHEN USED WITH PROPER SAFETY PRECAUTIONS. USE AT YOUR OWN RISK AND USE COMMON SENSE.

Read the instructions carefully and assemble the scooter according to these instructions before you allow the child to ride. This scooter requires assembly by an adult.

BEFORE YOU START

LIKE A SKATEBOARD, THIS SCOOTER DOES NOT HAVE A BRAKE. Always wear proper protective equipment, such as an ANSI, SNELL, CPSC, or ASTM approved helmet, elbow, and kneepads. Always keep the chinstrap securely buckled on the helmet. Long sleeve shirt, gloves, long pants, shoes, and elbow and knee pads are mandatory. Wear athletic shoes (lace-up shoes with rubber soles). Don't ride barefoot or in sandals. Keep shoelaces out of the way of wheels or pivots.

Use the scooter only on flat, dry, level ground without loose debris like rocks or gravel. Ride on smooth, paved surfaces away from motor vehicles. Avoid excessive speed associated with downhill rides.

Never use the scooter at dusk or night, or in wet or icy conditions. Wet weather impairs traction, braking, and visibility.

Avoid sharp bumps, drainage grates, and sudden surface changes. Avoid water, speed bumps, sand, gravel, and anything else that could cause the wheels to suddenly stop. When in doubt avoid the bumps.

Do not exceed 175 lbs (79 kilograms) total weight on the scooter. For riders ages 7 years and older.

Do not wear anything that obstructs hearing, visibility, or function when riding the scooter.

Watch out for pedestrians. Avoid excessive speed.

Never ride in traffic or on the street, and watch your surroundings for pedestrians, bikes, and skateboard and scooter riders. Use the scooter in areas free from fixed or moving hazards such as poles, curbs, hydrants, walls, parked automobiles, and traffic.

Keep hands and feet clear of pivot and steering mechanism at all times.

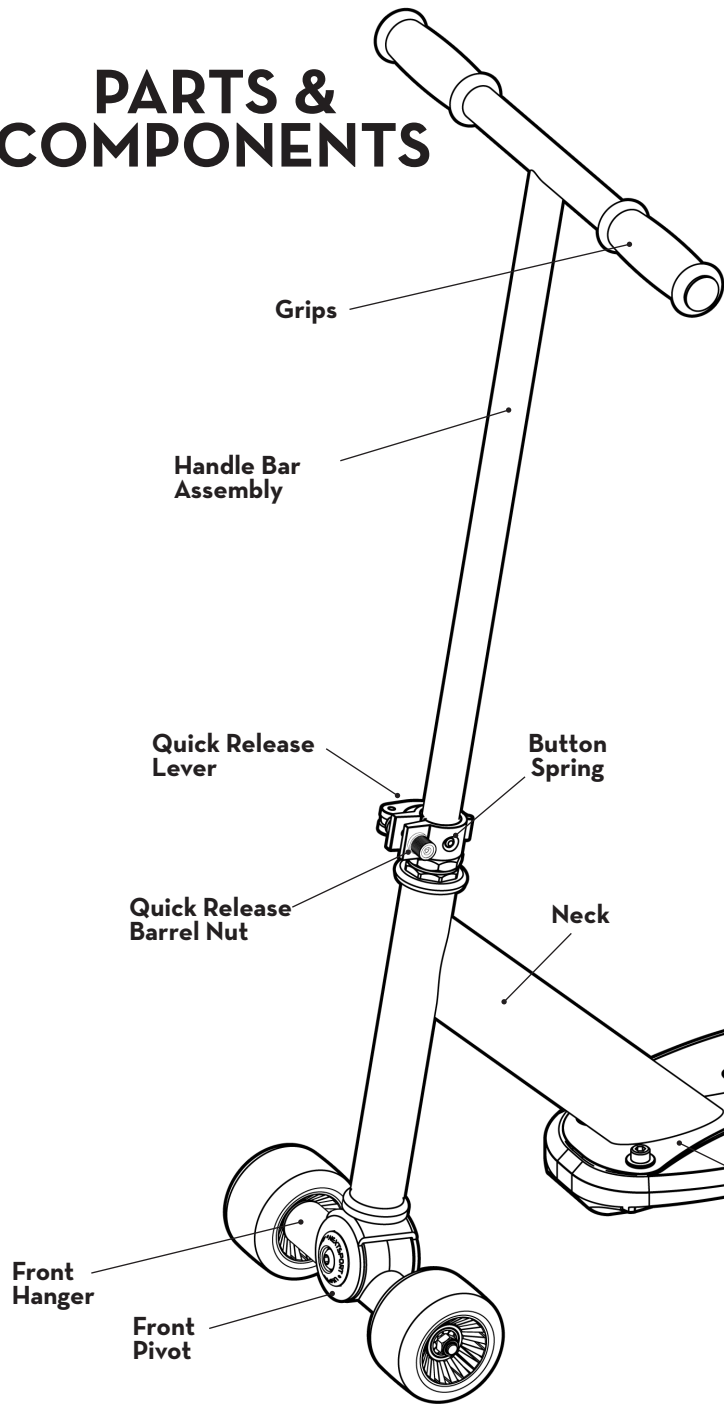
FAILURE TO USE COMMON SENSE AND HEED THE ABOVE WARNINGS FURTHER INCREASES RISK OF SERIOUS INJURY. USE AT YOUR OWN RISK AND WITH APPROPRIATE AND SERIOUS ATTENTION TO SAFE OPERATION. USE CAUTION.

⚠️ WARNING: ALWAYS INSPECT SCOOTER PRIOR TO RIDING. Proper inspection and maintenance of your scooter can reduce the risk of injury. Check all fasteners before every ride. Always inspect your scooter before riding, and maintain it regularly. Replace worn or broken parts immediately. Adults must assist children in the assembly and initial adjustment procedure.

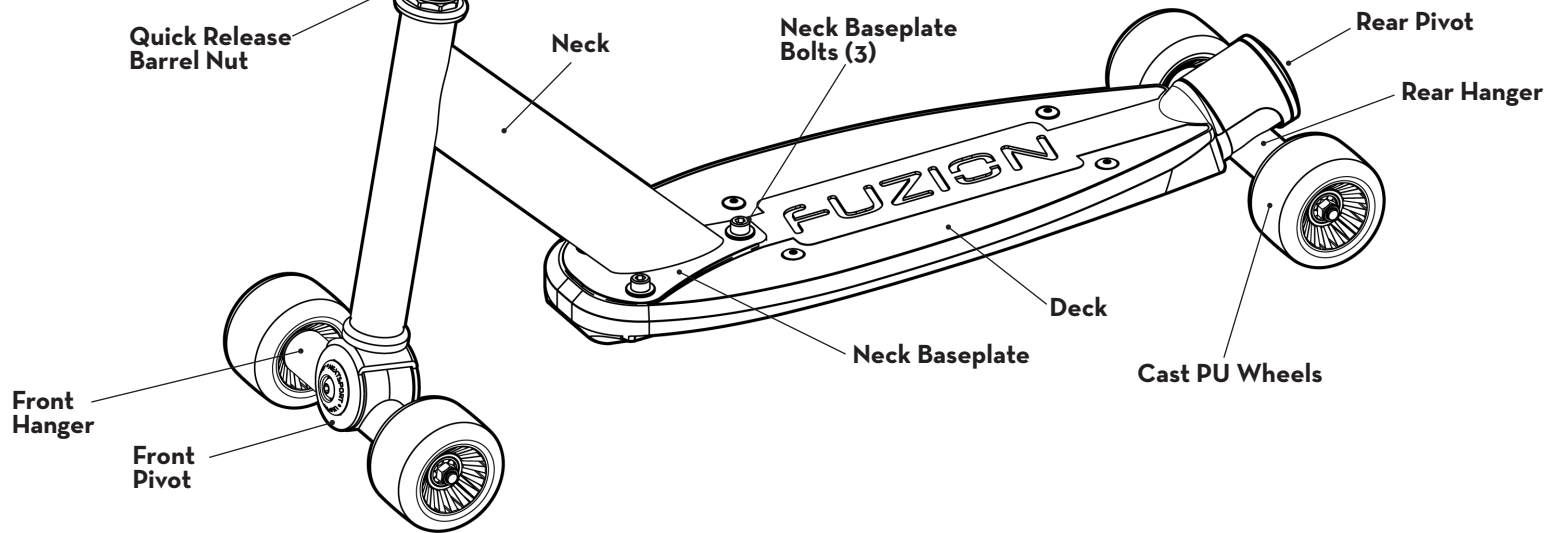
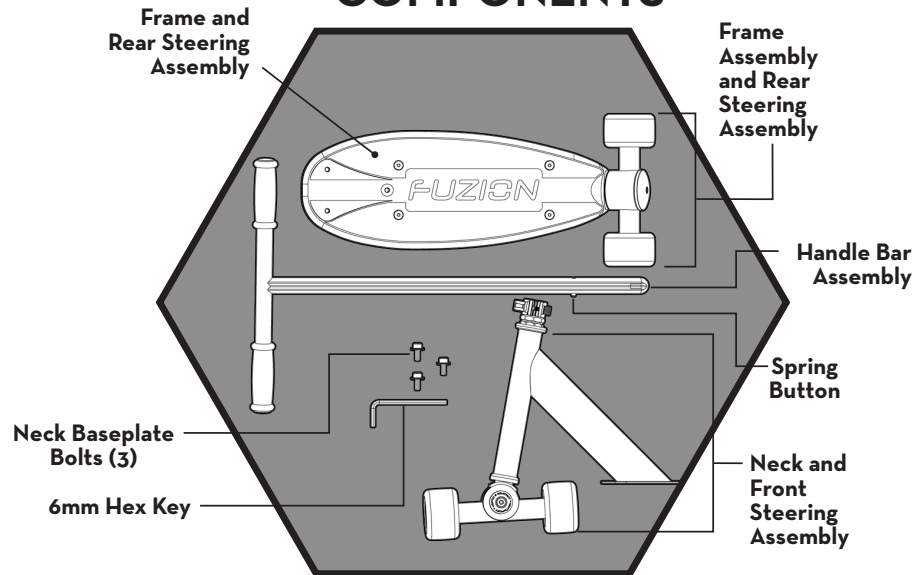
⚠️ WARNING: REGARDING USE OF NON-NEXTSPORT PRODUCTS WITH YOUR FUZION SCOOTER. Your scooter has been built to Nextsport's design specifications. All the original equipment supplied at the time of sale was selected on the basis of compatibility with the frame, wheels, pivots, and all other parts. Certain after-market products may or may not be compatible with your FUZION scooter. Call Nextsport's customer service prior to modifying or replacing any component with a non-factory specified part.

⚠️ WARNING: CHECK ALL LOCAL LAWS REGARDING SCOOTER USE. Check all local laws and regulations to see where and how you may use your FUZION scooter legally. In many states and local areas scooter riders are required BY LAW to wear a helmet. Check and obey local laws and regulations regarding laws governing helmet use and scooter operation in your area.

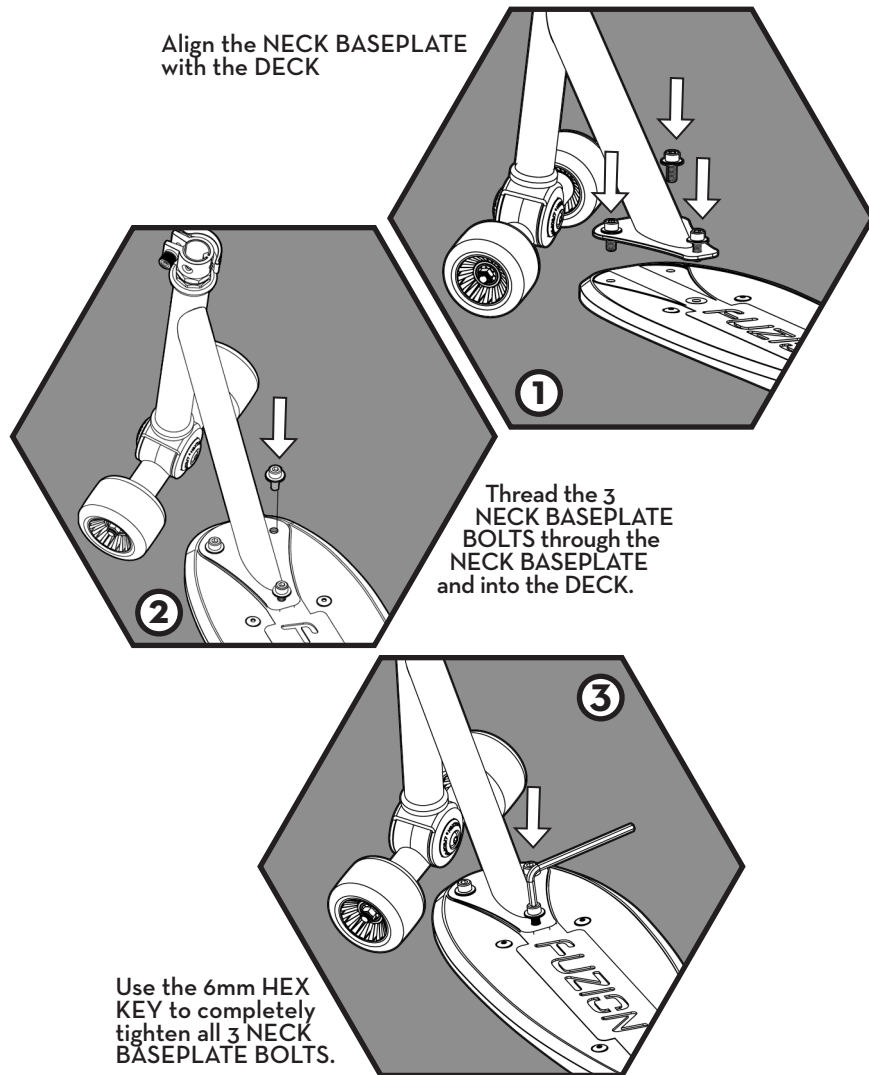
PARTS & COMPONENTS



PARTS AND COMPONENTS

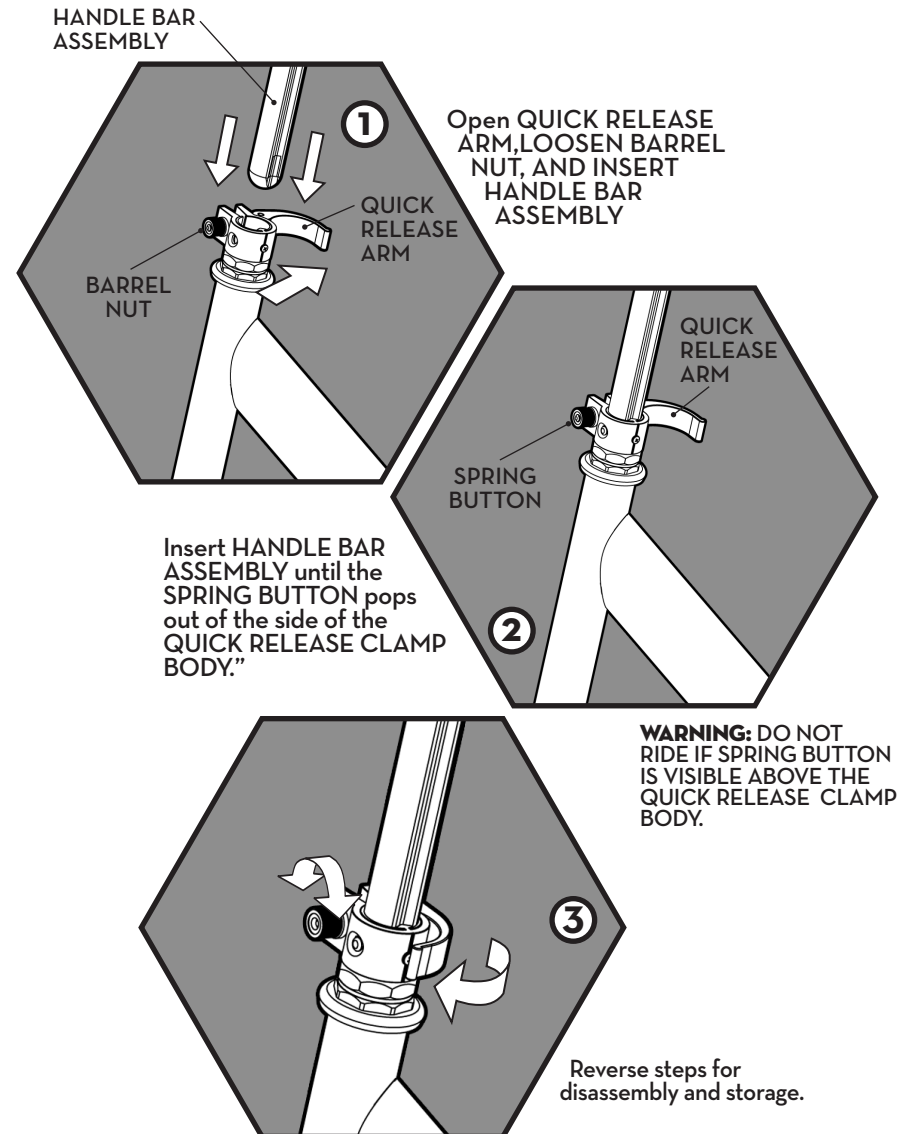


FRAME ASSEMBLY



WARNING: DO NOT RIDE THE SCOOTER IF THE NECK BASEPLATE BOLTS ARE LOOSE OR LOSS OF CONTROL AND SERIOUS INJURY MAY RESULT.

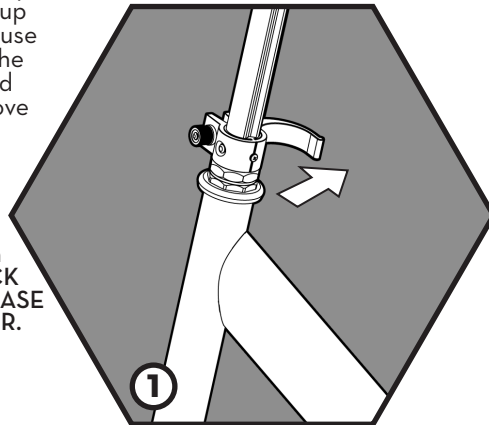
HANDLE BAR ASSEMBLY



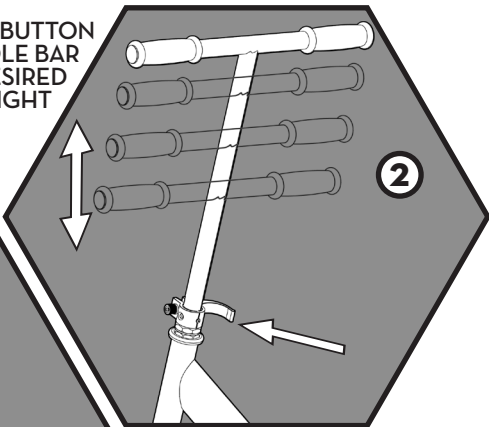
HANDLE BAR ASSEMBLY HEIGHT ADJUSTMENT

⚠ WARNING: Failure to properly engage the quick-release clamps may cause the handle bar to telescope up or down while riding, which may cause you to lose control and fall. With the quick-release properly adjusted and engaged the handle bar will not move up or down in normal use.

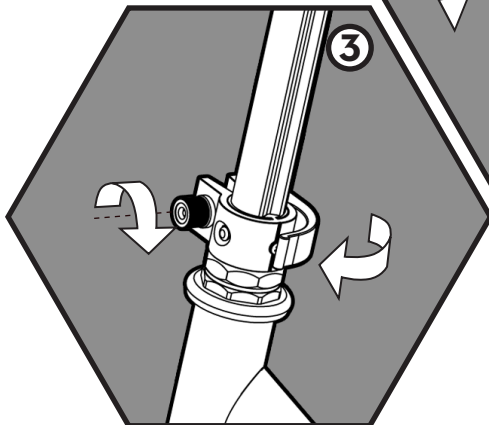
Open
QUICK
RELEASE
LEVER.



PUSH SPRING BUTTON
AND LOWER HANDLE BAR
ASSEMBLY TO DESIRED
HEIGHT



Adjust BARREL NUT
and fully close QUICK
RELEASE LEVER.



⚠ WARNING:
DO NOT EXCEED MAXIMUM
HEIGHT ADJUSTMENT.
THE SPRING BUTTON MUST
NOT BE VISIBLE ABOVE THE
QUICK RELEASE CLAMP.

FUZION™ SAFETY TIPS

FUZION COBALT scooter is for riders age 7 years and older.

Always wear proper protective equipment, such as an ANSI, SNELL, CPSC, or ASTM approved helmet, elbow and kneepads.

Always keep the chinstrap securely buckled on the helmet. Long sleeve shirt, gloves, long pants, shoes, and elbow and knee pads are mandatory.

Always have an adult assist children with the initial adjustment procedures to assemble and adjust the scooter.

Always check and secure all fasteners before every ride. Make sure the SPRING BUTTONS and QUICK RELEASE CLAMPS are properly positioned and fully tight.

Always ride on smooth, paved surfaces away from motor vehicles. Avoid sharp bumps, drainage grates, and sudden surface changes that may cause the scooter to stop suddenly. Keep both hands on the HANDLE BARS at all times and avoid stepping on or touching the front or rear WHEELS when riding.

Always avoid streets and surfaces with water, sand, gravel, dirt, leaves, and other debris. Wet weather impairs traction, braking, and visibility. Avoid anything that could cause your wheels to stop. Bumps have the potential to stop the wheels. When in doubt, avoid the bumps.

Always obey all local traffic and scooter riding laws and regulations. Watch out for pedestrians. Never ride in traffic or on the street and watch your surroundings for pedestrians, bikers, boarders, and skaters.

Always avoid excess speed associated with downhill rides. Avoid steep inclines and don't ride too fast - you can lose control and fall.

Always replace worn or broken parts immediately. Call 1-800-727-0331.

Do not ride at night or dusk.

Do not ride barefoot or in sandals. Wear athletic shoes (lace-up shoes with rubber soles). Keep shoelaces out of the way of wheels or pivots.



A Caution About Trick Riding

You will see people on TV and maybe even people you know doing tricks and stunts. These are people who have been practicing on scooters for a very long time. Build your skills gradually in order to minimize risk and injury. Skateboard parks are not designed for scooters.

HOW TO RIDE

Foot Placement

Place your feet anywhere that is comfortable. Most people like a parallel stance with toes facing forward and feet slightly spread forward and back. Learn to kick with either foot on the deck, foot brake, and slide turns with either foot.

Practice stepping on and off and walking along side your FUZION SCOOTER. Learn to do this on both sides. Work up to running along side then jumping on with both feet. Becoming skilled at stepping on and off without looking at the deck will help avoid and minimize small crashes.

Turning Your Fuzion

Your FUZION has independent control of front and rear steering. The front wheels steer the front of the NX when the handle bars are turned, just like a car or bicycle. The back wheels turn the back of the NX when the deck and the handlebars are leaned (banked) from side to side, like a skateboard. By using different combinations of leaning and steering you will quickly be carving and sliding all kinds of turns.

Start out on smooth, flat pavement away from traffic. Look forward and kick with either foot. Step on and coast forward. Repeat until you are comfortable kicking, stepping on and off, and coasting to a stop. Initiate a turn by banking the deck and looking in the direction you want to turn.

By relaxing your grip on the handlebars, your hands will naturally follow your head and eye movement. Start with wide smooth turns, practice by making big circles and figure eights.

Stopping Techniques

Controlling speed and stopping are basic riding skills that must be learned. You must learn to foot brake and slide turns in order to slow down and stop. Effective braking requires practiced technique, well fitting skate shoes, smooth clean pavement, and room to turn that is free of obstacles, pedestrians, and cars or other traffic.

It is very dangerous to ride faster than your ability to turn, slow down and stop. Please exercise good judgment, ride within your skill level, and remain safe.

Stopping Techniques: Foot braking

Foot braking can be done while going straight or while turning. It is important to learn to kick and foot brake with either foot. Start out on flat, smooth pavement, kick straight forward, then gently glide the heel and sole of the braking shoe on the ground until you come to a stop. Keep your toes pointed forward. Keep your braking shoe in position out to the side and next to the deck. Avoid touching the rear wheels. Harder braking requires progressively more pressure on the pavement.

Stopping Techniques: Sliding to a Stop

This involves sliding out the rear wheels and steering into the slide with the front wheels. Learning to slide the rear wheels is easy, but comes after learning how to kick forward and foot brake with either foot. Sliding to a stop is a critical skill. Continue practicing until you can slide to a stop from any turn at any speed.

Start out on a flat, smooth, wide-open pavement. Kick up to speed and lightly glide your braking foot over the pavement while making a wide turn to the braking side; this is the natural (on-side) position for a foot-down sliding turn.

Once you become comfortable with the on-side braking position, bank the deck deeper into the turn, shift weight onto the braking foot, pushing the deck away with the non-braking foot while pulling back slightly on the bars with your hands. Look to the outside of the turn and your hands should naturally steer into the slide as you come to a stop.

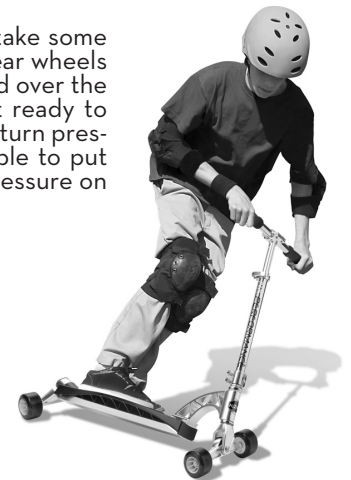
Experiment with your foot braking pressure, how hard you push out the deck, and how hard you pull back on the bars with your hands.

Slowing Down with Linked Sliding Turns

Slowing down with linked sliding turns should be learned **AFTER you have mastered foot braking on both sides, carving slalom turns, and turning to a sliding stop.**

Find a location where you can do 4-5 wide round slalom turns and come to a controlled stop at the bottom. Speed range for learning to slide should not exceed 15 mph. To initiate a slide, simply add a pulse of mid-turn down force with your legs as you press into the banked deck. The rear wheels should drift toward the outside of the turn a few inches. Be sure to keep your eyes focused on where you want to go and keep your hands relaxed so you can steer through the slide.

To stop sliding, simply suck up your knees and take some of the pressure off the banked deck. Once the rear wheels hook up again bank the deck and handlebars hard over the other direction. Focus on the new turn and get ready to extend your knees and add another pulse of mid-turn pressure to the deck. At any time you should be able to put down your on-side foot, maintain the mid-turn pressure on the deck and steer into a sliding stop.



MAINTENANCE

Wheels and Bearings

It is the responsibility of the owner or guardian to periodically inspect the wheels and bearings for wear and tear, and check the NYLOCK AXLE NUTS for proper tightness.

Eventually wheels and bearings wear and need replacement. The life of these components depends on the kind of riding done. Lots of sliding will wear out wheels and riding in dirty or wet conditions will prematurely shorten bearing life. Worn wheels and bearings are considered normal wear-and-tear and are not covered by the Nextsport Limited Warranty.

Wheels other than genuine Fuzion™ wheels may not be compatible with your NX Scooter. Always use genuine Fuzion replacement parts.

Cleaning your Scooter

Wipe with a damp cloth to remove dirt and dust. Do not use industrial cleaners or solvents as they may damage the surfaces. Do not use alcohol, alcohol-based or ammonia-based cleaners as they may damage or dissolve the plastic components or soften the decals or decal adhesive.

LIMITED WARRANTY

This Limited Warranty is the only warranty for Fuzion scooter.
There is no other express or implied warranty.

The manufacturer warrants this product to be free of manufacturing defects for a period of six months from date of purchase. This Limited Warranty does not cover normal wear and tear, or any damage, failure, or loss caused by improper assembly, maintenance, storage, or use of the scooter.

This Limited Warranty will be void if the product is ever:

- Used in a manner other than for recreation or transportation
- Modified in any way
- Rented

Check local laws and regulations to see where you can ride your scooter legally. The manufacturer is not liable for incidental or consequential loss or damage due directly or indirectly from the use of this product.

To obtain service under this warranty you must, within the warranty period, contact Nextsport directly by phone at 1-800-727-0331 or by e-mail at warranty@nextsport.com. Nextsport will provide warranty replacements at its sole discretion. Authorized warranty services are ONLY available from Nextsport. Specifications are subject to change without notice



FUZION SCOOTERS ARE PROTECTED BY US AND INTERNATIONAL PATENTS AND TRADEMARKS.
USPTO # 6520517

© Copyright 2007 Nextsport.
Nextsport, Inc. 2340 Powell Street, Suite 198
Emeryville, CA 94608 • 1-800-727-0331
All rights reserved.
No. FUZO12 1/23/08 PR